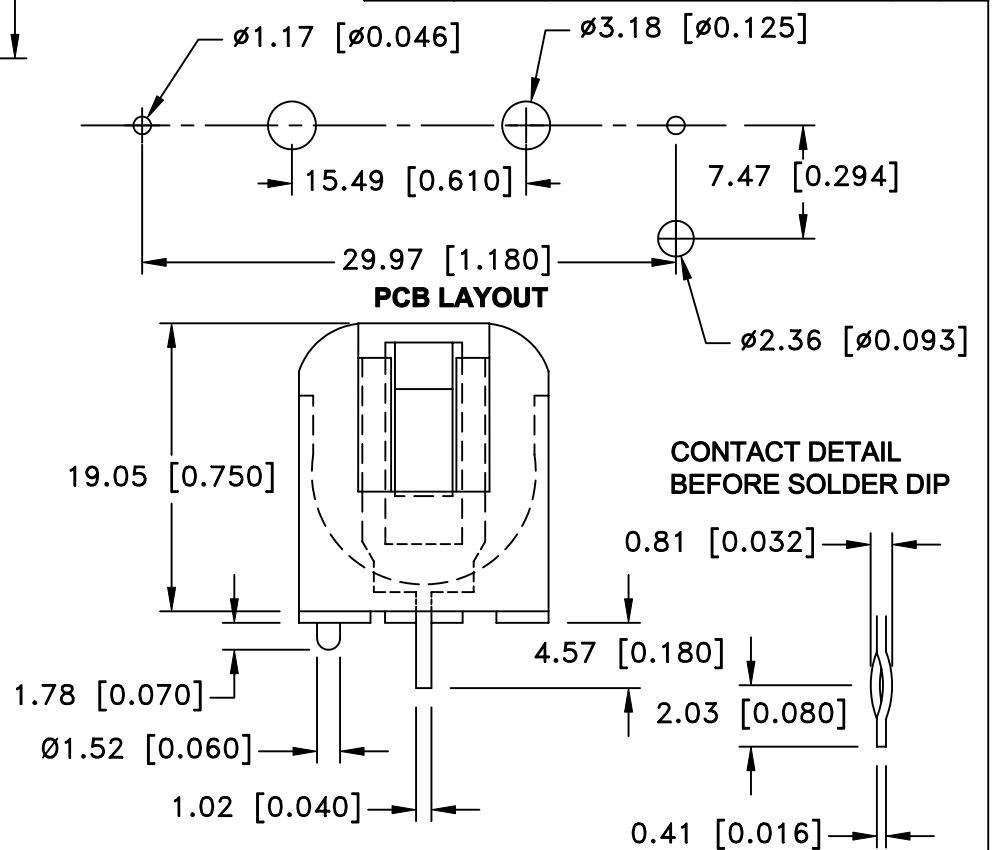


| Date | SYM | REVISION RECORD | AUTH | DR. | CK. |
|----------|-----|--|------|------|-----|
| 04/26/03 | A | PCB LAYOUT DIM. CHANGED TO 3 DECIMAL POINT | T.B. | B.S. | |
| 05/03/03 | B | ALL DIM. CHANGED TO 3 DECIMAL POINT | T.B. | B.S. | |
| 07/25/03 | C | CHANGED MATL. SPEC. ADDED MATERIAL ON BOTH ENDS TO CLOSE IT DIM. CHANGED | T.B. | B.S. | |
| 02/14/04 | D | ADDED "BEFORE SOLDER DIP" | T.B. | B.S. | |



SPECIFICATIONS:

HOLDER MATERIAL: SELF EXTINGUISHING THERMOPLASTIC, BLACK PBT

FLAMABILITY RATING: UL94V-0, FILE #E53829

CONTACTS: 301 SPRING TEMPER STAINLESS STEEL, NICKLE PLATED OVERALL, SOLDER DIPPED PCB TAILS

DIELECTRIC STRENGTH: 560 VOLTS/MIL AT 25°C FOR 5 SEC.

TEMPERATURE RANGE: -55°C TO +180°C

RESISTANCE TO SOLVENTS: XYLENE, ETHYL, BUTYL, MRTHYL, PROPYL ALCOHOL, ETHYL ACETATE, HEPTANE, TOLUENE, REFRIGERANT


NOTES:

EYELET STIMPSON STYLE#A1883 0.110" OD x 0.190" FLANGE

FLANGE RECESS Ø0.203" x 0.090" DEEP

ACCEPTS STANDARD 2-56 MACHINE SCREWS

ACCESSORIES: BI-UM-3-4, INSULATOR

| | | | |
|--------------------------------|---|-----------------------------|---------------|
| Tolerance (Except as noted) |  Memory Protection Devices, Inc 200 Broad Hollow Road, Farmingdale, New York 11735 | Scale | Drawn By B.S. |
| decimal ±.5 (.020) | | Approved By T.B. | |
| Fractional ± .8 (.030) | Title 1/2AA BATTERY HOLDER, PCB MOUNTING | | |
| Angular ± 3° | Date 02/14/04 | Drawing Number BH1/2AA-2 | |